

primus®

GET AHEAD IN LAUNDRY +



FXB180 | FXB240 | FXB280 BARRIER WASHER-EXTRACTORS



TOUCH CONTROL AVAILABLE
Multilingual user-friendly 7" touch control



CASCADE DRUM TECHNOLOGY
Extra mechanical action thanks to its cascading shape of the surface



CLOUD-BASED PLATFORM
to easily monitor your laundry everywhere and at any time



AUTOMATIC WEIGHING SYSTEMS
Automatically adapts amount of water and detergent based on the wash load



IMPROVED DURABILITY
for your peace of mind with a 3-year warranty

FEATURES & BENEFITS

Features

- Freestanding, high spin
- Stainless steel cabinet, drum and tub
- Patented soap hopper
- Easy access to all important parts
- Large door opening for easy loading & unloading
- Automatic door positioning
- Golden Lock - patented inner door lock mechanism
- Large drain valve (Ø 76 mm)

Options

- Liquid soap connection and pumps
- Water recovery kit and sample tap
- Second Display on the clean side
- Steam heating version
- End of cycle extra signalling (traffic light + siren)
- Lateral drain
- Tilting system: assists operators during loading & unloading
- 3rd water inlet
- Double door glass Execution

Control

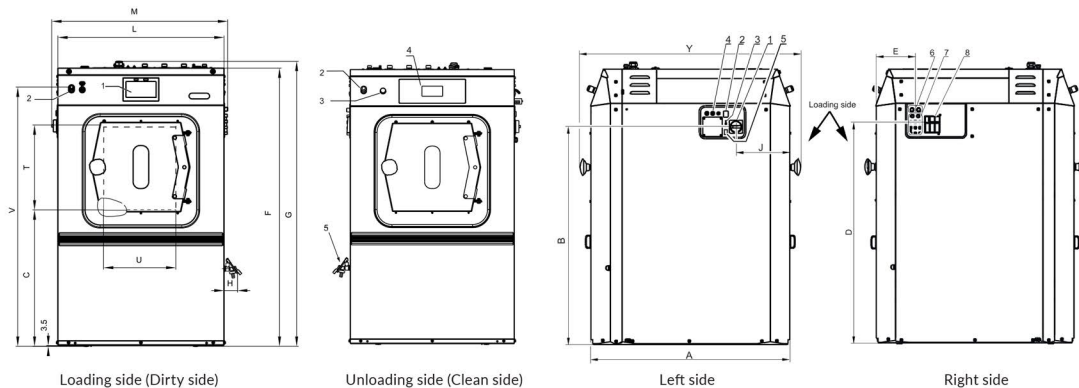
- XControl FLEX PLUS – fully programmable and customizable cycles 7" touch screen.
 - User-friendly screen with operating instructions built in as part of the control
 - Complete control content available in 34 languages
- XControl – fully programmable control with 20 Pre-set programs and memory up to 99.

SPECIFICATIONS

TYPE		FXB180	FXB240	FXB280
INNERDRUM				
Capacity 1:09	kg	20	27	31
Capacity 1:10	kg	18	24	28
Volume	litres	180	240	280
Diameter	mm	750	750	750
DRUM SPEED				
Wash	rpm	42	42	42
Extraction	rpm	939	939	914
G-FACTOR		370	370	350
HEATING				
Electricity	kW	12 - 18	18	21,9
Steam	bar	3 - 8	3 - 8	3 - 8
Sound pressure level	dB (A)	< 67	< 68	< 70
Water valves connection	BSP	3 x 3/4"	3 x 3/4"	3 x 3/4"
Water pressure	kPa	100-600	100-600	100-600
Rec. water pressure	kPa	300-500	300-500	300-500
Water inlet	l/min	20	20	20
Drain valve	outer Ø mm	76	76	76
Flow amount with drain valve	l/min	210	210	210
Steam valve connection	BSP	1/2"	1/2"	1/2"
Steam pressure	kPa	100-800	100-800	100-800
DIMENSIONS				
Size H×W×D	mm	1455×900×1145	1455×1020×1145	1455×1130×1145
Net weight	kg	430	460	490
TRANSPORT DATA				
Packed H×W×D	mm	1610×1010×1235	1610×1130×1235	1610×1240×1235
Gross weight	kg	485	515	550

DIMENSIONS

	A	B	C	D	E	F	G	J	L	M	T	U	V	Y
FXB180	1025	1127	655	1150	202	1423	1455	277	850	900	312	376	1325	1145
FXB240	1025	1127	675	1150	202	1423	1455	277	850	1020	312	496	1325	1145
FXB280	1025	1127	670	1150	202	1423	1455	277	850	1130	312	496	1325	1145
							height			width				depth



- Control panel
- Emergency stop button "CENTRALSTOP"
- Signal of machine running
- Display on clean side (on request)
- Water Tap

- Main switch
- Heating change-over switch (electric heating, steam heating), (on request)
- USB port, (on request)
- Fuses
- PC programming connection (on request)
- Inlet of water from the recycle (external diameter 0.75 in. [19mm])
- Air relieve



CALL US ON 1300 355 769
VISIT OUR WEBSITE www.totalce.com.au