

# Diamond Star

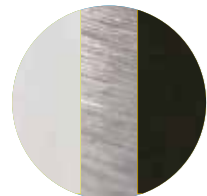
self contained



Electronic controller



Top mounted



Choice of finishes



LED lighting



10 Amp power

An Australian made cabinet with a choice of optional glass door types. A proven performer in many areas of operation. Available in one door or two door models with a generous 1100 litre capacity in the latter—and your choice of refrigerator or freezer.

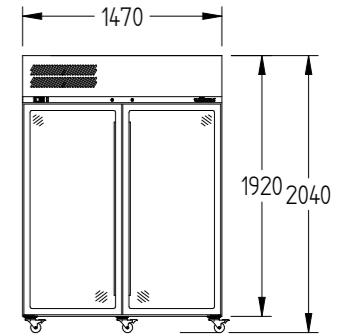
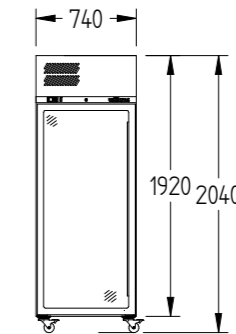
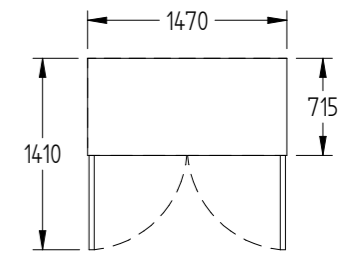
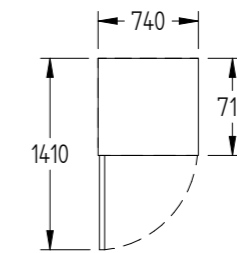
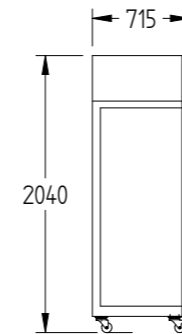


## Advantages

- 43°C ambient rating for hard working environment (38°C for glass door freezers)
- Coolsmart electronic controller for energy efficiency and even temperatures
- Top mounted refrigeration system for simple maintenance and easy servicing
- Waste heat recovery vaporiser system—no need for external drain
- Long life and energy efficient 12 volt LED lights
- Threaded castors allow simple leg changeover if required
- Four sets of plastic coated shelves per door
- Peace of mind auto defrost (electric on freezer models)
- Designed and built to international quality standards for reliability and performance
- Optional double glazed heated doors for reduced condensation and clear view

### STANDARD HINGE ON SINGLE DOOR MODEL (WHEN FACING FRONT OF UNIT):

- GLASS DOOR-LHH
- SOLID DOOR-RHH



MODEL		1 DOOR		2 DOOR	
H (Refrigerator +1°/+4°C)	White, Glass Door	<b>HDS1GDCB</b>	\$3,480	<b>HDS2GDCB</b>	\$5,493
H (Refrigerator +1°/+4°C)	White, Solid Door	<b>HDS1SDCB</b>	\$3,311	<b>HDS2SDCB</b>	\$5,124
L (Freezer -18°/-22°C)	White, Glass Door	<b>LDS1GDCB</b>	\$6,177	<b>LDS2GDCB</b>	\$8,122
L (Freezer -18°/-22°C)	White, Solid Door	<b>LDS1SDCB</b>	\$5,400	<b>LDS2SDCB</b>	\$7,024
H (Refrigerator +1°/+4°C)	Stainless Steel, Glass Door	<b>HDS1GDSS</b>	\$4,614	<b>HDS2GDSS</b>	\$6,930
H (Refrigerator +1°/+4°C)	Stainless Steel, Solid Door	<b>HDS1SDSS</b>	\$4,292	<b>HDS2SDSS</b>	\$6,463
L (Freezer -18°/-22°C)	Stainless Steel, Glass Door	<b>LDS1GDSS</b>	\$7,332	<b>LDS2GDSS</b>	\$9,805
L (Freezer -18°/-22°C)	Stainless Steel, Solid Door	<b>LDS1SDSS</b>	\$6,552	<b>LDS2SDSS</b>	\$8,899

## SPECIFICATIONS

<b>CAPACITY LITRES</b>	520	1100
<b>DIMENSIONS - W X D X H (ON CASTORS) MM</b>	740 W x 715 D x 2040 H	1470 W x 715 D x 2040 H
<b>WEIGHT UNPACKED (KG)</b>	160	250

## STANDARD INCLUSIONS \*\*\*

<b>DOOR TYPE</b>	<b>GD</b> (Glass Door), <b>SD</b> (Solid Door), Optional: <b>PT</b> (Pass Thru)
<b>FINISH (INTERIOR AND EXTERIOR, EXCLUDES REAR AND UNDER, STAINLESS STEEL INTERNAL FLOOR)</b>	<b>CB</b> (White), <b>CBB</b> (Black), <b>SS</b> (Stainless Steel)
<b>SHELVES/DOOR</b>	4

## ELECTRICAL

<b>POWER SUPPLY</b>	10 amp	10 amp	
<b>FRIDGE MODELS - GLASS DOORS</b>	<b>RUNNING AMPS</b>	3.8	4.8
<b>FRIDGE MODELS - SOLID DOORS</b>	<b>RUNNING AMPS</b>	3.8	4.7
<b>FREEZER MODELS - GLASS DOORS</b>	<b>RUNNING AMPS</b>	4.3	9.2
<b>FREEZER MODELS - SOLID DOORS</b>	<b>RUNNING AMPS</b>	3.3	6

## GAS TYPE

<b>REFRIGERANT</b>	<b>FRIDGE MODELS</b>	R134a	R134a
	<b>FREEZER MODELS</b>	R404a	R404a

## REFRIGERATION WATTAGES FOR OPTIONAL REMOTE UNITS

<b>FRIDGE MODELS - GLASS DOORS</b>	620 @ -5°C SST	940 @ -5°C SST
<b>FRIDGE MODELS - SOLID DOORS</b>	440 @ -5°C SST	630 @ -5°C SST
<b>FREEZER MODELS - GLASS DOORS</b>	1050 @ -30°C SST	1650 @ -30°C SST
<b>FREEZER MODELS - SOLID DOORS</b>	580 @ -30°C SST	1100 @ -30°C SST

\*\*\* For **Diamond Star OPTIONS** see page 19

Prices do not include GST. Prices and specifications are subject to change without notice.