



## AXR.FDCTSQ.09

### Refrigerated Food Display Countertop - Square

#### Product Information:

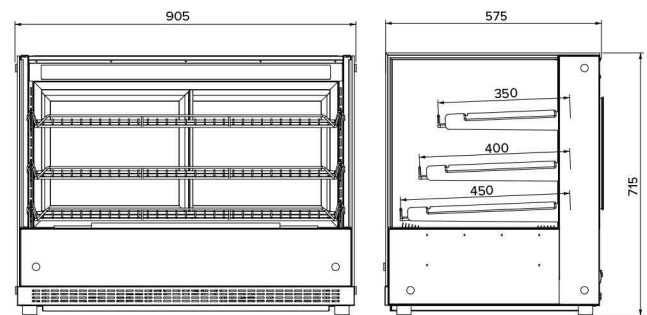
- Specifically designed to display ready-to-serve cold foods
- Adjustable digital temperature control (from 2°C - 8°C)
- Efficient LED lighting for increased product visibility
- Frameless glass construction (fully double glazed heated) for exceptional display
- Sliding glass doors to rear
- Protective coating on refrigeration coil to help prevent corrosion
- High quality components including highly efficient compressors
- 3 tier (adjustable shelves)



**Designed and Engineered in Australia to meet Australian Standards**  
**24 Months on-site parts and labour warranty**

#### Specifications

<b>Model</b>	<b>AXR.FDCTSQ.09</b>
<b>W x D x H (mm)</b>	905 x 575 x 715
<b>Weight</b>	93kg
<b>Operation</b>	2°C - 8°C
<b>Refrigerant</b>	R134a
<b>Climate Class</b>	3
<b>Max Ambient</b>	30°C
<b>Power</b>	220 - 240V 10A plug & lead



FRONT VIEW

SIDE VIEW

Due to continuous product research and development,  
the information contained herein is subject to change without notice.

Revision: 01 - 12/08/2020 - A

[www.stoddart.com.au](http://www.stoddart.com.au)

[www.stoddart.co.nz](http://www.stoddart.co.nz)





## AXH.FDCTSQ.09

### Heated Food Display Countertop - Square

#### Product Information:

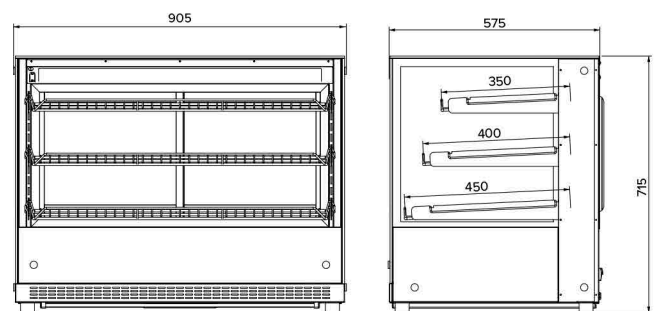
- Adjustable digital temperature control (from 60°C - 80°C)
- Efficient LED lighting for increased product visibility
- Frameless glass construction (single glazed) for exceptional display
- Water pan positioned for easy access, introducing humidity into the display - keeping products fresher for longer
- 3 tier (adjustable shelves)
- Supplied with sliding glass doors to rear

**Designed and Engineered in Australia to meet Australian Standards**  
**24 Months on-site parts and labour warranty**



#### Specifications

<b>Model</b>	<b>AXH.FDCTSQ.09</b>
<b>W x D x H (mm)</b>	905 x 575 x 715
<b>Weight</b>	57kg
<b>Operation</b>	60°C - 80°C
<b>Power</b>	220 - 240V 10A plug & lead



FRONT VIEW

SIDE VIEW

Due to continuous product research and development,  
the information contained herein is subject to change without notice.

Revision: 01 - 16/07/2020 - A

[www.stoddart.com.au](http://www.stoddart.com.au)

[www.stoddart.co.nz](http://www.stoddart.co.nz)

