

**Electrolux**

ecostore 2 Door Digital Stainless Steel Refrigerator, 1430lt (0/+6)

ITEM # _____

MODEL # _____

NAME # _____

SIS # _____

AIA # _____

**ecostore**

2 Door Digital Stainless Steel Refrigerator, 1430lt (0/+6)

727295 (RE4142FR)Eco Store Stainless Steel
Refrigerator - 1430 lt 2 Door
(0/+6) - 230 V/1N/50Hz**727435 (RE4142FR60)**Eco Store Stainless Steel
Refrigerator - 1430 lt 2 Door
(0/+6) - 220 V/1N/60Hz

Short Form Specification

Item No. _____

Two full door refrigerator with internal and external structure in 430 AISI stainless steel; external back and bottom panels in anti-corrosive material. Digital control with cabinet temperature display and setting and manual activation of defrost cycle. Fully compliant HACCP digital controls include visible alarms. Optimized back to front forced air flow provides even temperature distribution and fast cooling in any conditions. Fitted with 75 mm-thick cyclopentane insulating foam. Door features lock and door microswitch to switch off the fan when the door is opened. Hidden evaporator to guarantee higher storage capacity and less corrosion problems. Built-in refrigeration unit; ventilated operation; automatic defrost and evaporation of defrost water. Operating temperature: 0/+6 °C. For ambient temperatures up to 43 °C. CFC and HCFC free. R134a gas in refrigeration circuit.

Supplied with n. 6x2/1GN Rilsan coated grids and n. 6 sets of 2 stainless steel grid runners. Certified as Class 6 by CECED Italia energy classification. Prearranged to fit RS485 port to facilitate connection to a remote computer and integrated HACCP systems.

Main Features

- Two full doors.
- Digital control with cabinet temperature display and setting and manual activation of defrost cycle. Fully compliant HACCP digital controls include visible alarms.
- Large storage area suitable to contain 2/1 GN grids or shelves on anti-tilt runners.
- Optimized back to front forced air flow provide even temperature distribution and fast cooling in any conditions.
- Automatic defrost.
- Internal structure with numerous charging positions available to host grids, ensuring higher net capacity and a greater storage space.
- Operating temperatures can be adjusted from 0 to +6 °C to suit both meat and dairy storage requirements.
- Performance guaranteed at ambient temperatures of 43 °C.
- Cabinet fitted with up to 75 mm thickness of cyclopentane insulation for best insulating performance with 100% environmental protection.
- Removable triple-chamber balloon magnetic gasket to improve insulation and reduce energy consumption.
- Cleaning-free condenser: the structure of the wire frame condenser prevents dust and grease accumulation thus avoiding periodical cleaning operations and reducing energy consumption.
- Automatic evaporation of the defrosting water by hot gas on the top.
- 60 mm-thick insulation covering the evaporator can be easily removed with a single operation.
- Prearranged to fit RS485 port to facilitate connection to a remote computer and integrated HACCP systems.
- Rilsan coated grids for improved protection.
- Hidden evaporator thus guaranteeing higher storage capacity and less corrosion problems.
- Cabinets certified as class 6 by the CECED Italia energy classification board. CECED Italia studies demonstrate that the potential annual savings estimated by replacing a cabinet in class 1 with a cabinet in class 6 of equivalent volume, is equal to 320 € for each refrigerator replaced (considering an energy cost of 0,17 €/kWh and an average net volume of 600lt). See more at: www.ceceditalia.it (only for 727295)

Construction

- Interior base with corners, pressed from a single sheet.
- External back panel in galvanized steel.
- Stainless steel runners and supports easily disassembled.
- Anti-corrosion bottom avoids any damage that may be caused to the cabinet by aggressive detergents employed to clean the floors.
- Lockable door.
- Door switch stops the fan when door is opened to avoid cold air exiting the cell, thus saving energy.
- Refrigerant type: R134a.
- CFC and HCFC-free insulation.
- Doors are self-closing and can be fully opened up to 180°.
- Mounted on adjustable Stainless steel feet, with castors as an option.
- The rounded internal corners, the easily removable runners

APPROVAL: _____



Electrolux

2 Door Digital Stainless Steel Refrigerator, 1430lt (0/+6)
ecostore



Electrolux

ecostore
2 Door Digital Stainless Steel
Refrigerator, 1430lt (0/+6)

Construction

Included Accessories

- 6 of 2/1GN grey rilsan grid with 2 runners PNC 881020

Optional Accessories

- 2/1GN grey rilsan grid PNC 881004
- 2/1GN aisi 304 stainless steel grid PNC 881016



ecostore
2 Door Digital Stainless Steel Refrigerator, 1430lt (0/+6)

The company reserves the right to make modifications to the products without prior notice. All information correct at time of printing.

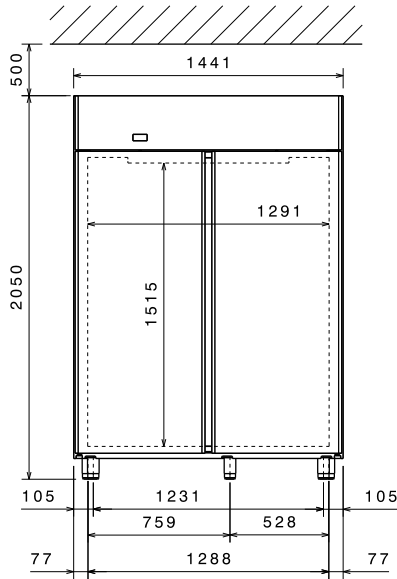
2012.03.28



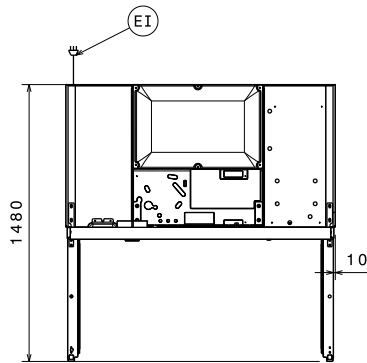
Electrolux

ecostore 2 Door Digital Stainless Steel Refrigerator, 1430lt (0/+6)

Front

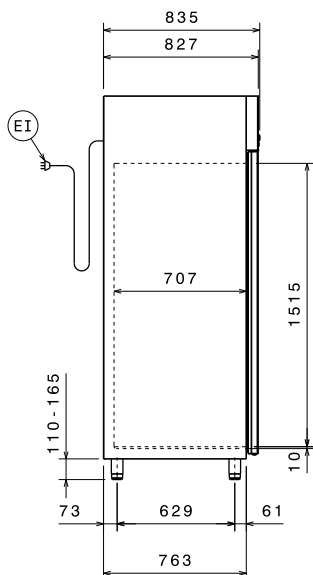


Top



ED = Remote electrical connection
EI = Electrical connection

Side



Electric

Supply voltage:

727295(RE4142FR)	230 V/1 ph/50 Hz
727435(RE4142FR60)	220 V/1 ph/60 Hz

Connected load:

727295(RE4142FR)	0.33 kW
727435(RE4142FR60)	0.34 kW

Key Information:

Door hinges:	1 Left+1 Right
External dimensions, Height:	2050 mm
External dimensions, Width:	1441 mm
External dimensions, Depth:	837 mm
External dimensions, Depth with Doors Open:	1480 mm
External dimensions, Weight:	170 kg
Number and type of doors:	2 Full
Gross capacity:	1430 lt
Net weight (kg):	170
Number and type of grids (included):	6 - GN 2/1
Number of positions & pitch:	44; 30 mm
CECED Energy Classification:	
727295(RE4142FR)	Class 6

Refrigeration Data

Control type:	Digital
Refrigerant type:	R134a
Refrigeration power:	
727295(RE4142FR)	398 W
727435(RE4142FR60)	417 W
Refrigeration power at evaporation temperature:	-10 °C
Refrigerant weight:	170 g
Operating temperature min.:	0 °C
Operating temperature max.:	6 °C
Type of external material:	Stainless Steel
Type of internal material:	Stainless Steel
Internal panels material:	Stainless Steel
Operating mode:	Ventilated



ecostore
2 Door Digital Stainless Steel Refrigerator, 1430lt (0/+6)

The company reserves the right to make modifications to the products without prior notice. All information correct at time of printing.

2012.03.28