

SINGLE DRYER

PDGE

10KG



FEATURES

- 6 drying programs
- Large door opening for easy loading and unloading
- Reversible door
- Front access to vital ports for easy maintenance
- Galvanised cylinder
- Nonremovable lint filter located in the front for easy cleaning
- Powerful exhaust blower ensures short dry times and low operating costs
- Door opens 180 degrees for easy loading and unloading
- Gas heating
- Time remaining countdown



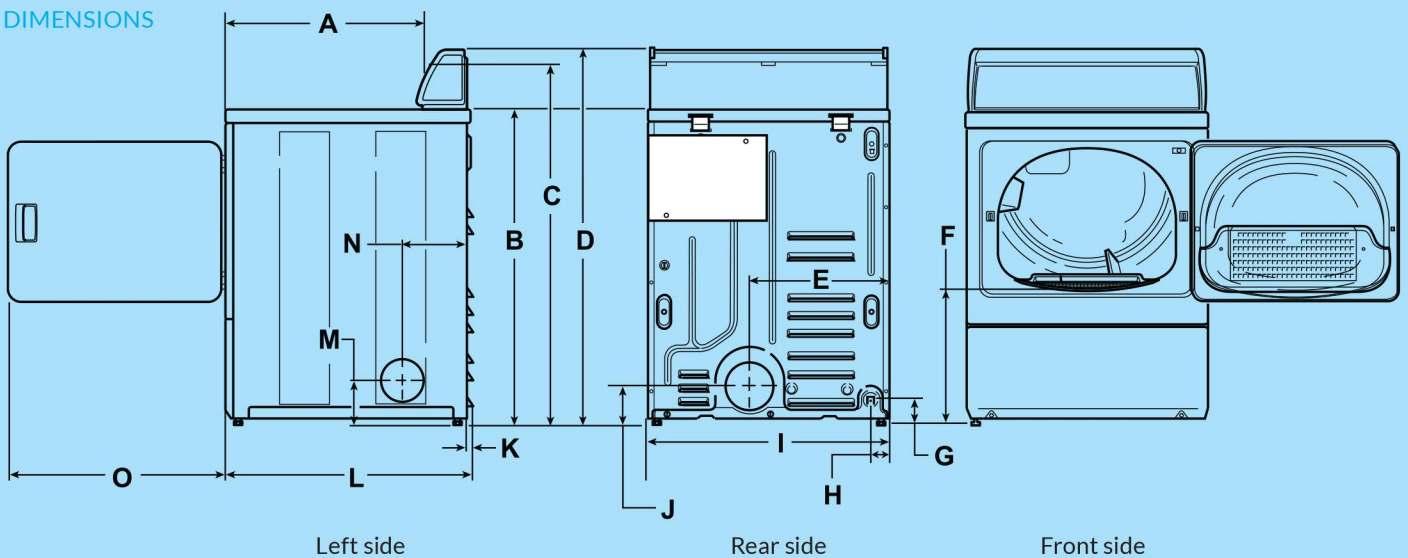
COMPACT
DESIGN



EASY
OPERATION

TYPE		PDGE4RGS303AG01	
GENERAL DETAILS			
Control		HEC Electronic	
Control location		Rear Control	
Drum finish		Galvenised	
Colour		Grey	
Electrical Connection	Volt/Hz/Ph	220-240/50/1	
Heat type		Gas	
INNERDRUM			
Capacity	kg	10	
Depth	mm	534	
Diameter	mm	661	
DIMENSIONS			
Size H×W×D	mm	1115×683×722	
TRANSPORT DATA			
Packed H×W×D	mm	1156×775×864	

DIMENSIONS



A	B	C	D	E	F	G	H	I	J	K	L	M	N	O
589	*914	*1036	*1092	391	*392	*70	60	683	*102	10	711	*114	203	597

Note: Exhaust openings are 102 mm metal ducting.

* With leveling legs turned into base



Complete Project Solutions™

CALL 1300 355 769
VISIT www.totalce.com.au