

CR6B

600mm Griddle Gas Range Static Oven

**CR6B**

- 600mm wide
- 2 griddle burners with pilot, flame failure and piezo ignition
- Machine finished griddle plate 12mm thickness
- High crown static oven
- 1/1 GN pan capacity
- Manual pilot ignition
- Side hinged door
- Vitreous enameled oven liner
- Adjustable front feet and rear rollers
- Stainless steel finish
- Fully modular

Also Available

**CR6C****CR6D**

OVERALL CONSTRUCTION

Cooktop

- 12mm machined surface mild steel griddle plate
- Vitreous enamelled control panel
- Stainless steel front, sides and splashback
- Stainless steel spill tray

Oven

- Vitreous enamelled oven liner
- GN 1/1 capacity with 4 position racking
- Supplied with one chrome plated oven rack
- Vitreous enamelled oven spill tray
- Stainless steel door and sides
- 63mm dia. stainless steel adjustable legs to front and two rollers at rear

CONTROLS

Cooktop

- Large easy use control knobs
- Variable high to low controls to griddle burners
- Standard with pilot, flame failure and piezo ignition

Oven

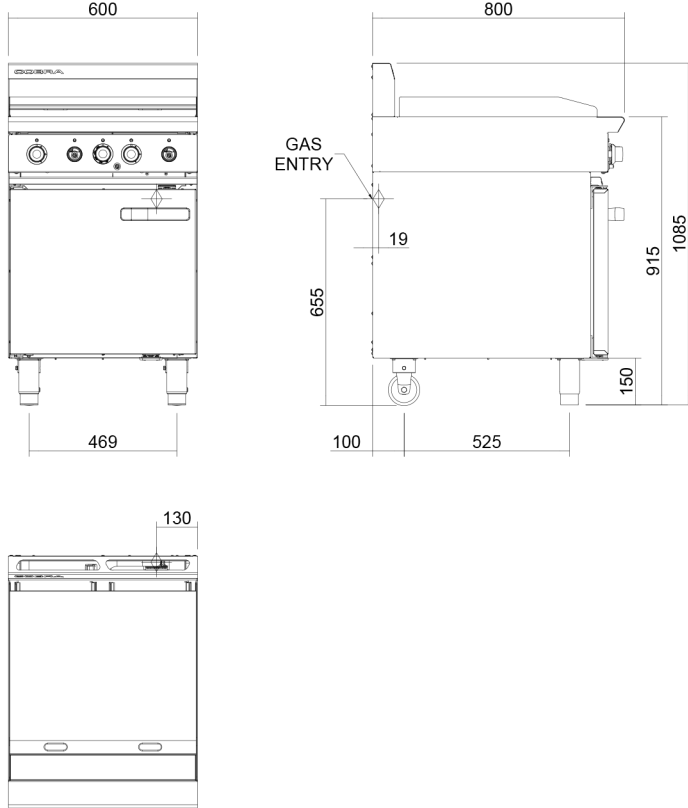
- 100-310°C thermostatic oven control
- Piezo ignition to oven pilot burner with flame failure

CLEANING AND SERVICING

- Easy clean stainless steel exterior
- Stainless steel grease trays
- Access to all parts from front of unit

CR6B

600mm Griddle Gas Range Static Oven



CR6B

SPECIFICATIONS

Burners
Griddle Burners;
20MJ/hr, 5.5kW per 300mm section
Oven; 24MJ/hr, 6.7kW
Gas power (gross)
CR6B 64MJ/hr, 17.8kW
Oven dimensions
Width 460mm
Depth 615mm
Height 365mm
Rack size
450mm x 590mm
Rack positions 4
Gas connection
R 3/4 (BSP) male
130mm from RH side, 20mm from rear, and 655mm from floor

Dimensions
Width 600mm
Depth 800mm
Height 915mm
Incl. splashback 1085mm
Nett weight
109kg
Packing data
0.85m³, 140kg
Width 710mm
Depth 955mm
Height 1250mm
Gas types
Available in Natural gas and LP gas,
please specify when ordering
Other gas types on request



Cert. No. AGA 7225G

moffat.com.au
moffat.co.nz

Australia
moffat.com.au
Moffat Pty Limited

Victoria/Tasmania
740 Springvale Road
Mulgrave, Victoria 3170
Telephone +613-9518 3888
Facsimile +613-9518 3833
vsales@moffat.com.au

New South Wales
Telephone +612-8833 4111
nswsales@moffat.com.au

South Australia
Telephone +613-9518 3888
vsales@moffat.com.au

Queensland
Telephone +617-3630 8600
qldsales@moffat.com.au

Western Australia
Telephone +618-9413 2400
wsales@moffat.com.au

New Zealand
moffat.co.nz

Moffat Limited
Rolleston
45 Illinois Drive
Izone Business Hub
Rolleston 7675
Telephone +64 3-983 6600
Facsimile +64 3-983 6660
sales@moffat.co.nz

Auckland
Telephone +64 9-574 3150
sales@moffat.co.nz



Designed and manufactured by



ISO9001
All Cobra products are designed and manufactured by Moffat using the internationally recognised ISO9001 quality management system, covering design, manufacture and final inspection, ensuring consistent high quality at all times.

In line with policy to continually develop and improve its products, Moffat Limited reserves the right to change specifications and design without notice.

© Copyright Moffat Ltd
AN.C.01.19 / 1598

CR6D

600mm Four Burner Gas Range Static Oven

**CR6D**

- 600mm wide
- 4 open burners
- 22MJ open burner rating
- Flame failure standard on open burners
- Optional pilot and flame failure on open burners
- Cast iron burners and vitreous enamel potstands
- High crown static oven
- 1/1 GN pan capacity
- Manual pilot ignition
- Side hinged door
- Vitreous enameled oven liner
- Adjustable front feet and rear rollers
- Stainless steel finish
- Fully modular

Also Available

**CR6B****CR6C**

OVERALL CONSTRUCTION

Cooktop

- Cast iron open burner heads with vitreous enamelled cast iron caps
- Vitreous enamelled potstands
- Vitreous enamelled control panel
- Stainless steel front, sides and splashback
- Stainless steel spill tray

Oven

- Vitreous enamelled oven liner
- GN 1/1 capacity with 4 position racking
- Supplied with one chrome plated oven rack
- Vitreous enamelled oven spill tray
- Stainless steel door and sides
- 63mm dia. stainless steel adjustable legs to front and two rollers at rear

CONTROLS

Cooktop

- Large easy use control knobs
- Variable high to low controls to open burners
- Flame failure standard on open burners
- Optional pilot and flame failure on open burners

Oven

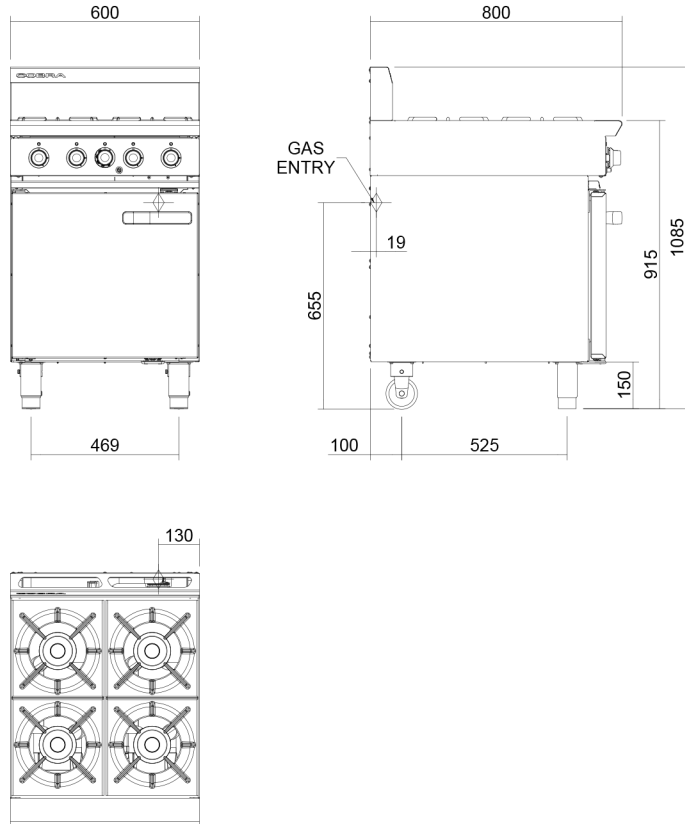
- 100-310°C thermostatic oven control
- Piezo ignition to oven pilot burner with flame failure

CLEANING AND SERVICING

- Easy clean stainless steel exterior
- Vitreous enamelled potstands and burner caps
- Lift off open burner caps and removable burners
- Removable spill trays
- Access to all parts from front of unit

CR6D

600mm Four Burner Gas Range Static Oven



CR6D

SPECIFICATIONS

Burners
Open Burners;
22MJ/hr, 6.1kW each
Oven; 24MJ/hr, 6.7kW
Gas power (gross)
CR6D 112MJ/hr, 31.1kW
Oven dimensions
Width 460mm
Depth 615mm
Height 365mm
Rack size
450mm x 590mm
Rack positions 4
Gas connection
R 3/4 (BSP) male
130mm from RH side, 20mm from rear, and 655mm from floor

Dimensions
Width 600mm
Depth 800mm
Height 915mm
Incl. splashback 1085mm
Nett weight
99kg
Packing data
0.85m³, 130kg
Width 710mm
Depth 955mm
Height 1250mm
Gas types
Available in Natural gas and LP gas,
please specify when ordering
Other gas types on request



Cert. No. AGA 7225G

moffat.com.au
moffat.co.nz

Australia
moffat.com.au
Moffat Pty Limited

Victoria/Tasmania
740 Springvale Road
Mulgrave, Victoria 3170
Telephone +613-9518 3888
Facsimile +613-9518 3833
vsales@moffat.com.au

New South Wales
Telephone +612-8833 4111
nswsales@moffat.com.au

South Australia
Telephone +613-9518 3888
vsales@moffat.com.au

Queensland
Telephone +617-3630 8600
qldsales@moffat.com.au

Western Australia
Telephone +618-9413 2400
wsales@moffat.com.au

New Zealand
moffat.co.nz

Moffat Limited
Rolleston
45 Illinois Drive
Izone Business Hub
Rolleston 7675
Telephone +64 3-983 6600
Facsimile +64 3-983 6660
sales@moffat.co.nz

Auckland
Telephone +64 9-574 3150
sales@moffat.co.nz



ISO9001
Quality
Management
Standard

Designed and manufactured by



ISO9001
All Cobra products are designed and manufactured by Moffat using the internationally recognised ISO9001 quality management system, covering design, manufacture and final inspection, ensuring consistent high quality at all times.

In line with policy to continually develop and improve its products, Moffat Limited reserves the right to change specifications and design without notice.

© Copyright Moffat Ltd
AN.C.01.19 / 1598

CR6C

600mm Two Burner/Griddle Gas Range Static Oven

**CR6C**

Also Available

**CR6B****CR6D**

- 600mm wide
- 2 open burners
- 300mm griddle plate
- 22MJ open burner rating
- Flame failure standard on open burners
- Optional pilot and flame failure on open burners
- Cast iron burners and vitreous enamel potstands
- 1 griddle burner with pilot, flame failure and piezo ignition
- Griddle plate machine finished 12mm thickness
- High crown static oven
- 1/1 GN pan capacity
- Manual pilot ignition
- Side hinged door
- Vitreous enameled oven liner
- Adjustable front feet and rear rollers
- Stainless steel finish
- Fully modular

OVERALL CONSTRUCTION

Cooktop

- Cast iron open burner heads with vitreous enamelled cast iron caps
- Vitreous enamelled potstands
- Vitreous enamelled control panel
- 12mm machined surface mild steel griddle plate
- Stainless steel front, sides and splashback
- Griddle section standard on RH side only

Oven

- Vitreous enamelled oven liner
- GN 1/1 capacity with 4 position racking
- Supplied with one chrome plated oven rack
- Vitreous enamelled oven spill tray
- Stainless steel door and sides
- 63mm dia. stainless steel adjustable legs to front and two rollers at rear

CONTROLS

Cooktop

- Large easy use control knobs
- Variable high to low controls to open and griddle burners
- Flame failure standard on open burners
- Optional pilot and flame failure on open burners
- Griddles standard with pilot, flame failure and piezo ignition

Oven

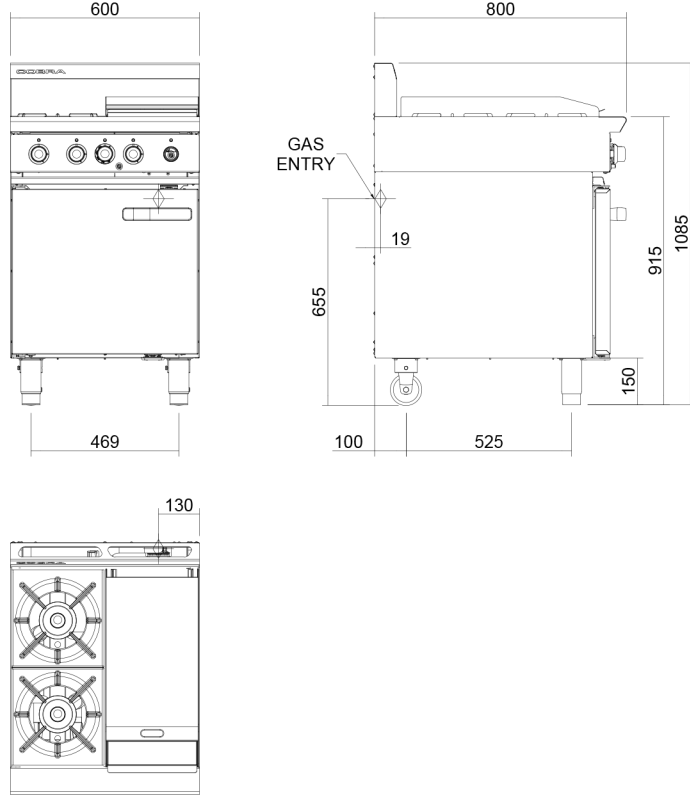
- 100-310°C thermostatic oven control
- Piezo ignition to oven pilot burner with flame failure

CLEANING AND SERVICING

- Easy clean stainless steel exterior
- Vitreous enamelled potstands and burner caps
- Lift off open burner caps and removable burners
- Stainless steel removable spill trays
- Stainless steel grease trays on griddle
- Access to all parts from front of unit

CR6C

600mm Two Burner/Griddle Gas Range Static Oven



CR6C

SPECIFICATIONS

Burners
Open Burners;
22MJ/hr, 6.1kW each
Griddle Burners;
20MJ/hr, 5.5kW per 300mm section
Oven; 24MJ/hr, 6.7kW
Gas power (gross)
CR6C 88MJ/hr, 24.4kW
Oven dimensions
Width 460mm
Depth 615mm
Height 365mm
Rack size
450mm x 590mm
Rack positions 4
Gas connection
R 3/4 (BSP) male
130mm from RH side, 20mm from rear, and 655mm from floor

Dimensions
Width 600mm
Depth 800mm
Height 915mm
Incl. splashback 1085mm

Nett weight
105kg

Packing data
0.85m³, 136kg
Width 710mm
Depth 955mm
Height 1250mm

Gas types
Available in Natural gas and LP gas,
please specify when ordering
Other gas types on request



Cert. No. AGA 7225G

moffat.com.au
moffat.co.nz

Australia
moffat.com.au
Moffat Pty Limited

Victoria/Tasmania
740 Springvale Road
Mulgrave, Victoria 3170
Telephone +613-9518 3888
Facsimile +613-9518 3833
vsales@moffat.com.au

New South Wales
Telephone +612-8833 4111
nswsales@moffat.com.au

South Australia
Telephone +613-9518 3888
vsales@moffat.com.au

Queensland
Telephone +617-3630 8600
qldsales@moffat.com.au

Western Australia
Telephone +618-9413 2400
wasales@moffat.com.au

New Zealand
moffat.co.nz
Moffat Limited

Rolleston
45 Illinois Drive
Izone Business Hub
Rolleston 7675
Telephone +64 3-983 6600
Facsimile +64 3-983 6660
sales@moffat.co.nz

Auckland
Telephone +64 9-574 3150
sales@moffat.co.nz



Designed and manufactured by



ISO9001
All Cobra products are designed and manufactured by Moffat using the internationally recognised ISO9001 quality management system, covering design, manufacture and final inspection, ensuring consistent high quality at all times.

In line with policy to continually develop and improve its products, Moffat Limited reserves the right to change specifications and design without notice.

© Copyright Moffat Ltd
AN.C.01.19 / 1598

CR9B

900mm Two Burner/Griddle Gas Range Static Oven

**CR9B**

Also Available

**CR9A****CR9C****CR9D**

- 900mm wide
- 2 open burners
- 600mm griddle plate
- 22MJ open burner rating
- Flame failure standard on open burners
- Optional pilot and flame failure on open burners
- Cast iron burners and vitreous enamel potstands
- 2 griddle burner with pilot, flame failure and piezo ignition
- Griddle plate machine finished 12mm thickness
- High crown static oven
- Capacity for one 2/1 GN or two 1/1 GN pans on oven rack
- Manual pilot ignition
- French door system
- Vitreous enameled oven liner
- Adjustable front feet and rear rollers
- Stainless steel finish
- Fully modular

OVERALL CONSTRUCTION

Cooktop

- Cast iron open burner heads with vitreous enamelled cast iron caps
- Vitreous enamelled potstands
- Vitreous enamelled control panel
- 12mm machined surface mild steel griddle plates
- Stainless steel front, sides and splashback
- Griddle section standard on RH side only

Oven

- Vitreous enamelled oven liner
- Extra wide GN 2/1 capacity with 4 position racking
- Supplied with one chrome plated oven rack
- Vitreous enamelled oven spill tray
- Stainless steel doors and sides
- 63mm dia. stainless steel adjustable legs to front and two rollers at rear

CONTROLS

Cooktop

- Large easy use control knobs
- Variable high to low controls to open and griddle burners
- Flame failure standard on open burners
- Optional pilot and flame failure on open burners
- Griddles standard with pilot, flame failure and piezo ignition

Oven

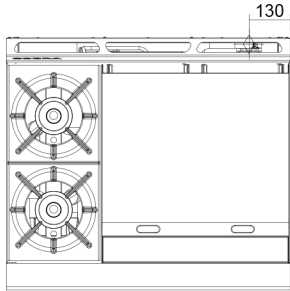
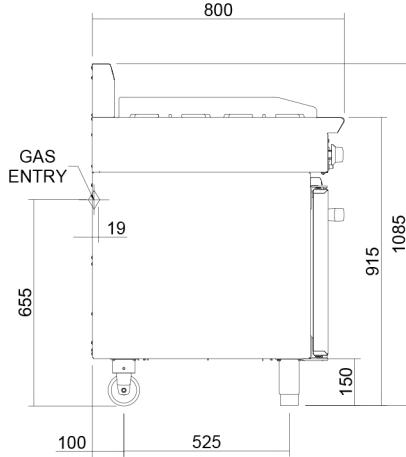
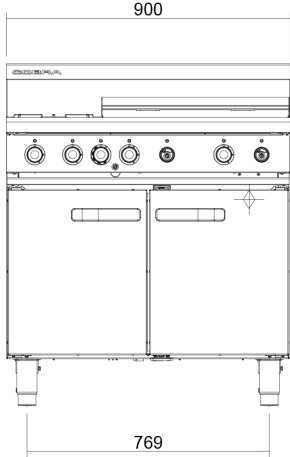
- 100-310°C thermostatic oven control
- Piezo ignition to oven pilot burner with flame failure

CLEANING AND SERVICING

- Easy clean stainless steel exterior
- Vitreous enamelled potstands and burner caps
- Lift off open burner caps and removable burners
- Stainless steel removable spill trays
- Stainless steel grease trays on griddle
- Access to all parts from front of unit

CR9B

900mm Two Burner/Griddle Gas Range Static Oven



CR9B

SPECIFICATIONS

Burners
Open Burners;
22MJ/hr, 5.5kW each
Griddle Burners;
20MJ/hr, 5.0kW per 300mm section
Oven; 28MJ/hr, 7.8kW
Gas power (gross)
CR9B 112MJ/hr, 31kW
Oven dimensions
Width 760mm
Depth 615mm
Height 365mm
Rack size
750mm x 590mm
Rack positions 4
Gas connection
R 3/4 (BSP) male
130mm from RH side, 20mm from rear, and 655mm from floor

Dimensions
Width 900mm
Depth 800mm
Height 915mm
Incl. splashback 1085mm
Nett weight
132kg
Packing data
1.21m³, 172kg
Width 1010mm
Depth 955mm
Height 1250mm
Gas types
Available in Natural gas and LP gas,
please specify when ordering
Other gas types on request



Cert. No. AGA 7225G

moffat.com.au
moffat.co.nz

Australia
moffat.com.au
Moffat Pty Limited

Victoria/Tasmania
740 Springvale Road
Mulgrave, Victoria 3170
Telephone +613-9518 3888
Facsimile +613-9518 3833
vsales@moffat.com.au

New South Wales
Telephone +612-8833 4111
nswsales@moffat.com.au

South Australia
Telephone +613-9518 3888
vsales@moffat.com.au

Queensland
Telephone +617-3630 8600
qldsales@moffat.com.au

Western Australia
Telephone +618-9413 2400
wasaes@moffat.com.au

New Zealand
moffat.co.nz

Moffat Limited
Rolleston
45 Illinois Drive
Izone Business Hub
Rolleston 7675
Telephone +64 3-983 6600
Facsimile +64 3-983 6660
sales@moffat.co.nz

Auckland
Telephone +64 9-574 3150
sales@moffat.co.nz



Designed and manufactured by
MOFFAT

ISO9001
All Cobra products are designed and manufactured by Moffat using the internationally recognised ISO9001 quality management system, covering design, manufacture and final inspection, ensuring consistent high quality at all times.

In line with policy to continually develop and improve its products, Moffat Limited reserves the right to change specifications and design without notice.

© Copyright Moffat Ltd
AN.C.01.19 / 1598

CR9A

900mm Griddle Gas Range Static Oven

**CR9A**

- 900mm wide
- 3 griddle burners with pilot, flame failure and piezo ignition
- Machine finished griddle plate 12mm thickness
- High crown static oven
- Capacity for one 2/1 GN or two 1/1 GN pans on oven rack
- Manual pilot ignition
- French door system
- Vitreous enameled oven liner
- Adjustable front feet and rear rollers
- Stainless steel finish
- Fully modular

Also Available

**CR9B****CR9C****CR9D**

OVERALL CONSTRUCTION

Cooktop

- 12mm machined surface mild steel griddle plate
- Stainless steel front, sides and splashback
- Vitreous enamelled control panel
- Stainless steel spill tray

Oven

- Vitreous enamelled oven liner
- Extra wide GN 2/1 capacity with 4 position racking
- Supplied with one chrome plated oven rack
- Vitreous enamelled oven spill tray
- Stainless steel doors and sides
- 63mm dia. stainless steel adjustable legs to front and two rollers at rear

CONTROLS

Cooktop

- Large easy use control knobs
- Variable high to low controls to griddle burners
- Standard with pilot, flame failure and piezo ignition

Oven

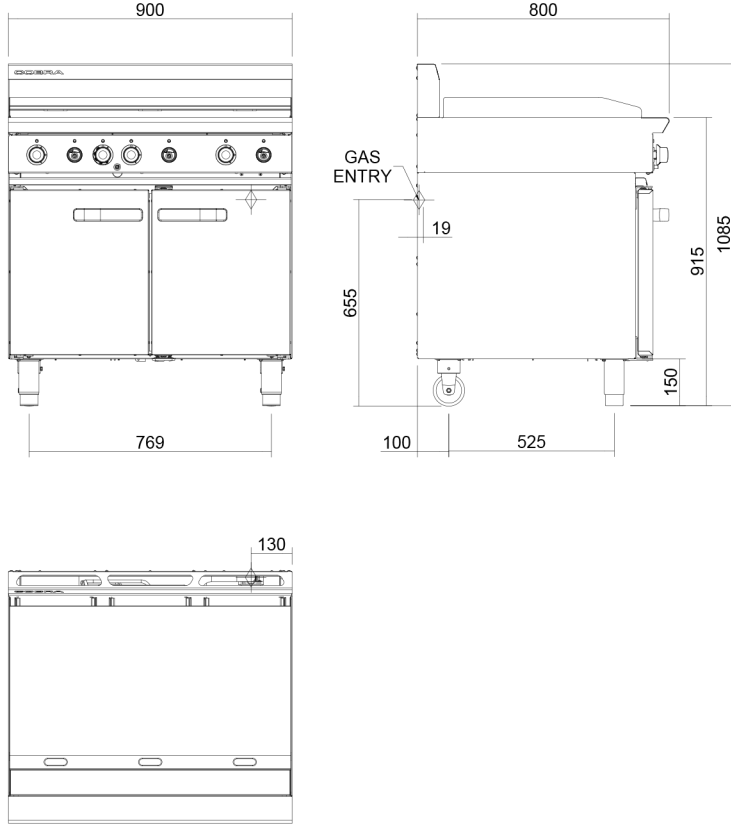
- 100-310°C thermostatic oven control
- Piezo ignition to oven pilot burner with flame failure

CLEANING AND SERVICING

- Easy clean stainless steel exterior
- Stainless steel grease trays on griddles
- Access to all parts from front of unit

CR9A

900mm Griddle Gas Range Static Oven



CR9A

SPECIFICATIONS

Burners
Griddle Burners;
20MJ/hr, 5.0kW per 300mm section
Oven; 28MJ/hr, 7.8kW
Gas power (gross)
CR9A 88MJ/hr, 24.4kW
Oven dimensions
Width 760mm
Depth 615mm
Height 365mm
Rack size
750mm x 590mm
Rack positions 4
Gas connection
R 3/4 (BSP) male
130mm from RH side, 20mm from rear, and 655mm from floor

Dimensions
Width 900mm
Depth 800mm
Height 915mm
Incl. splashback 1085mm
Nett weight
136kg
Packing data
1.21m³, 176kg
Width 1010mm
Depth 955mm
Height 1250mm
Gas types
Available in Natural gas and LP gas,
please specify when ordering
Other gas types on request



Cert. No. AGA 7225G

moffat.com.au
moffat.co.nz

Australia
moffat.com.au
Moffat Pty Limited

Victoria/Tasmania
740 Springvale Road
Mulgrave, Victoria 3170
Telephone +613-9518 3888
Facsimile +613-9518 3833
vsales@moffat.com.au

New South Wales
Telephone +612-8833 4111
nswsales@moffat.com.au

South Australia
Telephone +613-9518 3888
vsales@moffat.com.au

Queensland
Telephone +617-3630 8600
qldsales@moffat.com.au

Western Australia
Telephone +618-9413 2400
wsales@moffat.com.au

New Zealand
moffat.co.nz

Moffat Limited
Rolleston
45 Illinois Drive
Izone Business Hub
Rolleston 7675
Telephone +64 3-983 6600
Facsimile +64 3-983 6660
sales@moffat.co.nz

Auckland
Telephone +64 9-574 3150
sales@moffat.co.nz



Designed and manufactured by
MOFFAT®

ISO9001
All Cobra products are designed and manufactured by Moffat using the internationally recognised ISO9001 quality management system, covering design, manufacture and final inspection, ensuring consistent high quality at all times.

In line with policy to continually develop and improve its products, Moffat Limited reserves the right to change specifications and design without notice.

© Copyright Moffat Ltd
AN.C.01.19 / 1598

CR9D

900mm Six Burner Gas Range Static Oven

**CR9D**

Also Available

**CR9A****CR9B****CR9C**

- 900mm wide
- 6 open burners
- 22MJ open burner rating
- Flame failure standard on open burners
- Optional pilot and flame failure on open burners
- Cast iron burners and vitreous enamel potstands
- High crown static oven
- Capacity for one 2/1 GN or two 1/1 GN pans on oven rack
- Manual pilot ignition
- French door system
- Vitreous enameled oven liner
- Adjustable front feet and rear rollers
- Stainless steel finish
- Fully modular

OVERALL CONSTRUCTION

Cooktop

- Cast iron open burner heads with vitreous enamelled cast iron caps
- Vitreous enamelled potstands
- Vitreous enamelled control panel
- Stainless steel front, sides and splashback

Oven

- Vitreous enamelled oven liner
- Extra wide GN 2/1 capacity with 4 position racking
- Supplied with one chrome plated oven rack
- Vitreous enamelled oven spill tray
- Stainless steel doors and sides
- 63mm dia. stainless steel adjustable legs to front and two rollers at rear

CONTROLS

Cooktop

- Large easy use control knobs
- Variable high to low controls to open burners
- Flame failure standard on open burners
- Optional pilot and flame failure on open burners

Oven

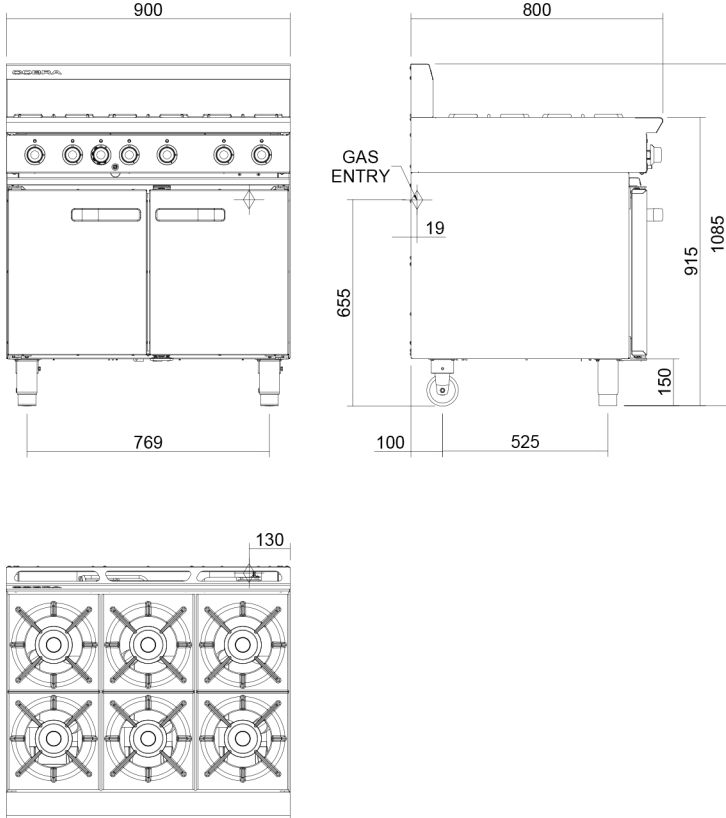
- 100-310°C thermostatic oven control
- Piezo ignition to oven pilot burner with flame failure

CLEANING AND SERVICING

- Easy clean stainless steel exterior
- Vitreous enamelled potstands and burner caps
- Lift off open burner caps and removable burners
- Stainless steel removable spill trays
- Stainless steel grease trays on griddles
- Access to all parts from front of unit

CR9D

900mm Six Burner Gas Range Static Oven



CR9D

SPECIFICATIONS

Burners
Open Burners;
22MJ/hr, 5.5kW each

Oven; 28MJ/hr, 7.8kW

Gas power (gross)
CR9D 160MJ/hr, 44.4kW

Oven dimensions
Width 760mm
Depth 615mm
Height 365mm

Rack size
750mm x 590mm
Rack positions 4

Gas connection
R 3/4 (BSP) male
130mm from RH side, 20mm from rear, and 655mm from floor

Dimensions
Width 900mm
Depth 800mm
Height 915mm
Incl. splashback 1085mm
Nett weight
121.5kg

Packing data
1.21m³, 162kg
Width 1010mm
Depth 955mm
Height 1250mm

Gas types
Available in Natural gas and LP gas,
please specify when ordering
Other gas types on request



Cert. No. AGA 7225G

moffat.com.au
moffat.co.nz

Australia
moffat.com.au
Moffat Pty Limited

Victoria/Tasmania
740 Springvale Road
Mulgrave, Victoria 3170
Telephone +613-9518 3888
Facsimile +613-9518 3833
vsales@moffat.com.au

New South Wales
Telephone +612-8833 4111
nswsales@moffat.com.au

South Australia
Telephone +613-9518 3888
vsales@moffat.com.au

Queensland
Telephone +617-3630 8600
qldsales@moffat.com.au

Western Australia
Telephone +618-9413 2400
wasales@moffat.com.au

New Zealand
moffat.co.nz

Moffat Limited
Rolleston
45 Illinois Drive
Izone Business Hub
Rolleston 7675
Telephone +64 3-983 6600
Facsimile +64 3-983 6660
sales@moffat.co.nz

Auckland
Telephone +64 9-574 3150
sales@moffat.co.nz



ISO9001
Quality
Management
Standard

Designed and manufactured by



ISO9001
All Cobra products are designed and manufactured by Moffat using the internationally recognised ISO9001 quality management system, covering design, manufacture and final inspection, ensuring consistent high quality at all times.

In line with policy to continually develop and improve its products, Moffat Limited reserves the right to change specifications and design without notice.

© Copyright Moffat Ltd
AN.C.01.19 / 1598

CR9C

900mm Four Burner/Griddle Gas Range Static Oven

**CR9C**

Also Available

**CR9A****CR9B****CR9D**

- 900mm wide
- 4 open burners
- 300mm griddle plate
- 22MJ open burner rating
- Flame failure standard on open burners
- Optional pilot and flame failure on open burners
- Cast iron burners and vitreous enamel potstands
- 1 griddle burner with pilot, flame failure and piezo ignition
- Griddle plate machine finished 12mm thickness
- High crown static oven
- Capacity for one 2/1 GN or two 1/1 GN pans on oven rack
- Manual pilot ignition
- French door system
- Vitreous enameled oven liner
- Adjustable front feet and rear rollers
- Stainless steel finish
- Fully modular

OVERALL CONSTRUCTION

Cooktop

- Cast iron open burner heads with vitreous enamelled cast iron caps
- Vitreous enamelled potstands
- Vitreous enamelled control panel
- 12mm machined surface mild steel griddle plates
- Stainless steel front, sides and splashback
- Griddle section standard on RH side only

Oven

- Vitreous enamelled oven liner
- Extra wide GN 2/1 capacity with 4 position racking
- Supplied with one chrome plated oven rack
- Vitreous enamelled oven spill tray
- Stainless steel doors and sides
- 63mm dia. stainless steel adjustable legs to front and two rollers at rear

CONTROLS

Cooktop

- Large easy use control knobs
- Variable high to low controls to open and griddle burners
- Flame failure standard on open burners
- Optional pilot and flame failure on open burners
- Griddles standard with pilot, flame failure and piezo ignition

Oven

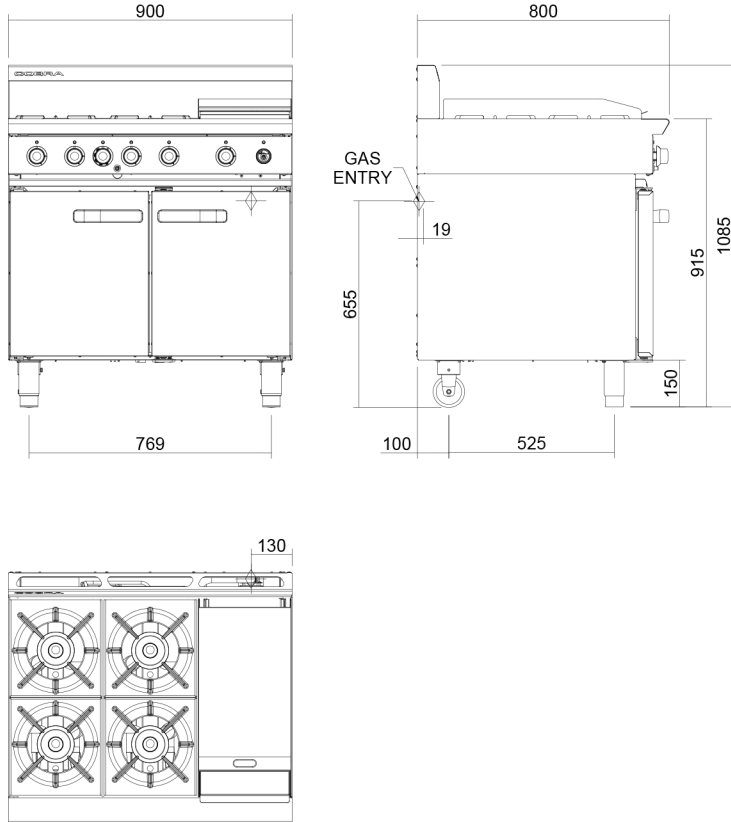
- 100-310°C thermostatic oven control
- Piezo ignition to oven pilot burner with flame failure

CLEANING AND SERVICING

- Easy clean stainless steel exterior
- Vitreous enamelled potstands and burner caps
- Lift off open burner caps and removable burners
- Stainless steel removable spill trays
- Stainless steel grease trays on griddles
- Access to all parts from front of unit

CR9C

900mm Four Burner/Griddle Gas Range Static Oven



CR9C

SPECIFICATIONS

Burners
Open Burners;
22MJ/hr, 5.5kW each
Griddle Burners;
20MJ/hr, 5.0kW per 300mm section
Oven; 28MJ/hr, 7.8kW
Gas power (gross)
CR9C 136MJ/hr, 37.8kW
Oven dimensions
Width 760mm
Depth 615mm
Height 365mm
Rack size
750mm x 590mm
Rack positions 4
Gas connection
R 3/4 (BSP) male
130mm from RH side, 20mm from rear, and 655mm from floor

Dimensions
Width 900mm
Depth 800mm
Height 915mm
Incl. splashback 1085mm
Nett weight
127.5kg
Packing data
1.21m³, 168kg
Width 1010mm
Depth 955mm
Height 1250mm
Gas types
Available in Natural gas and LP gas,
please specify when ordering
Other gas types on request



Cert. No. AGA 7225G

moffat.com.au
moffat.co.nz

Australia
moffat.com.au
Moffat Pty Limited

Victoria/Tasmania
740 Springvale Road
Mulgrave, Victoria 3170
Telephone +613-9518 3888
Facsimile +613-9518 3833
vsales@moffat.com.au

New South Wales
Telephone +612-8833 4111
nswsales@moffat.com.au

South Australia
Telephone +613-9518 3888
vsales@moffat.com.au

Queensland
Telephone +617-3630 8600
qldsales@moffat.com.au

Western Australia
Telephone +618-9413 2400
wsales@moffat.com.au

New Zealand
moffat.co.nz

Moffat Limited
Rolleston
45 Illinois Drive
Izone Business Hub
Rolleston 7675
Telephone +64 3-983 6600
Facsimile +64 3-983 6660
sales@moffat.co.nz

Auckland
Telephone +64 9-574 3150
sales@moffat.co.nz



Designed and manufactured by



ISO9001
All Cobra products are designed and manufactured by Moffat using the internationally recognised ISO9001 quality management system, covering design, manufacture and final inspection, ensuring consistent high quality at all times.

In line with policy to continually develop and improve its products, Moffat Limited reserves the right to change specifications and design without notice.

© Copyright Moffat Ltd
AN.C.01.19 / 1598