

Curved Profile Hot Food Display

The Woodson curved glass hot food display presents products superbly, in addition to ensuring all the standard bain marie features remain.



Quartz infra-red overhead heating lamps



Precise thermostat control



Multiple element design

FEATURES & BENEFITS

- Fully sealed toughened glass used throughout for maximum safety and hygiene
- Radiused bottom glass channel for ease of cleaning
- Stainless steel construction with dual skin air-insulated bain marie tank for improved safety
- Multiple element design means unit will continue to operate in the event of single element failure
- Supplied with rear sliding glass doors on rollers for council compliance
- Thermostat controls with clear temperature readout
- 15mm drain with downward emptying tap
- Overhead heat lamps wired to maximise light, heat and reliability - with lamp guard
- Full size gastronorm cavity to take choice of 65mm and 100mm pan combinations (pans not included)
- Easy to service via rear access panel
- Identical footprint to other Woodson food bar models
- Can be run both wet and dry
- 2 & 3 bay supplied with 10 amp plug & lead
- 4, 5 & 6 bay supplied with 15 amp plug & lead

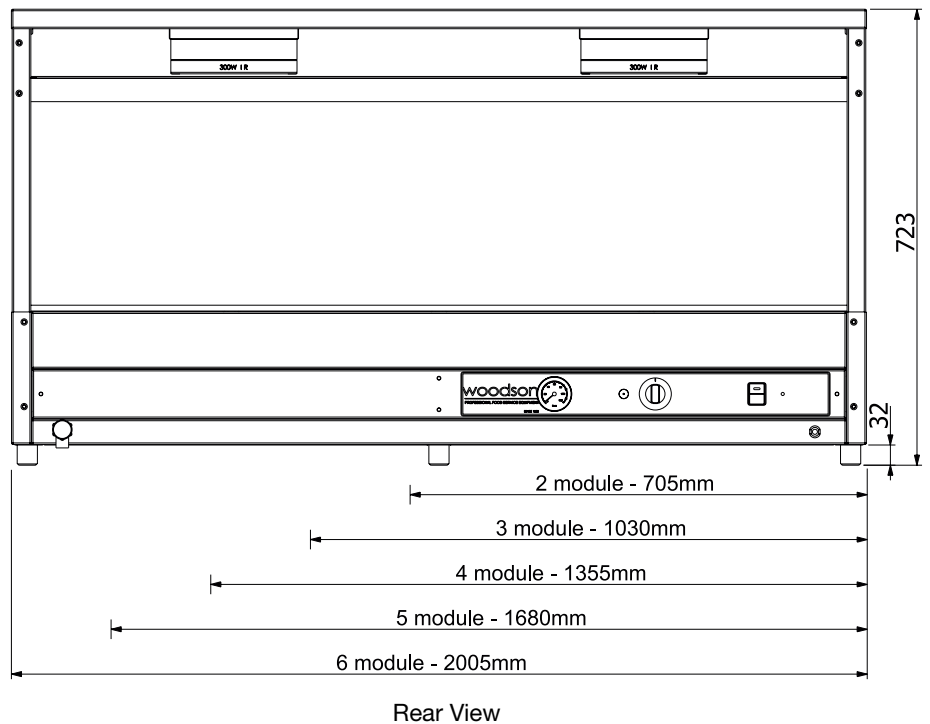
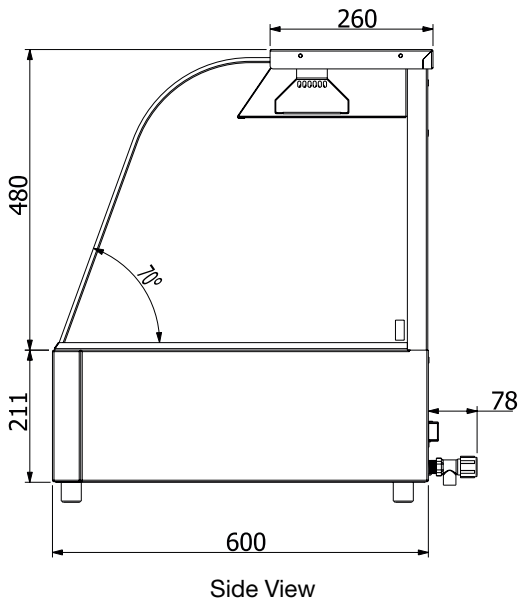


W.HFCxx



Curved Profile Hot Food Display

MODEL	DESCRIPTION	DIMENSIONS (mm) (w x d x h)	POWER
W.HFC22	2 module unit with rear sliding glass doors	705 x 600 x 725	1.5kW - 10 Amp
W.HFC23	3 module unit with rear sliding glass doors	1030 x 600 x 725	2.4kW - 10 Amp
W.HFC24	4 module unit with rear sliding glass doors	1355 x 600 x 725	3.0kW - 15 Amp
W.HFC25	5 module unit with rear sliding glass doors	1680 x 600 x 725	3.3kW - 15 Amp
W.HFC26	6 module unit with rear sliding glass doors	2005 x 600 x 725	3.6kW - 15 Amp



Dealer:

We reserve the right to alter specifications of products without notice. All dimensions are in mm.