

# HIGHLY EFFICIENT SOFT MOUNTED WASHER EXTRACTORS

**FX  
RANGE**

FX350	FX450	FX600
35KG 77LB	45KG 99LB	60KG 132LB



## FEATURES

- Freestanding, high spin
- Patented Cascade Drum™
- Stainless steel drum and tub
- Xcontrol Plus™ - Fully programmable
- 3rd water inlet, high inlets capacity
- 2x large drain valves (Ø 76 mm)
- Easy Soap™ - liquid soaps connection
- Large door opening for easy loading unloading
- Ergonomic height of door enables easy access with trolleys
- USB and RS485 plug (on the back panel)
- User Friendly control position regardless
- Bumper (front side protection)
- Soap hopper - new sleek design

## OPTIONS

- Stainless steel front
- Liquid soap pumps
- Recycle valve
- Steam heating version
- Air operated water inlets
- OPTILOAD™ - weighing system
- Water sample tap
- Extra signalization (orange light & horn)
- Isolation for energy and noise reduction
- Forward tilting (n/a for FX350)
- Trace-Tech™ - laundry management software



ERGONOMICAL  
CONSTRUCTION



LARGE DOOR  
OPENING



LOW WATER  
AND ENERGY  
CONSUMPTION

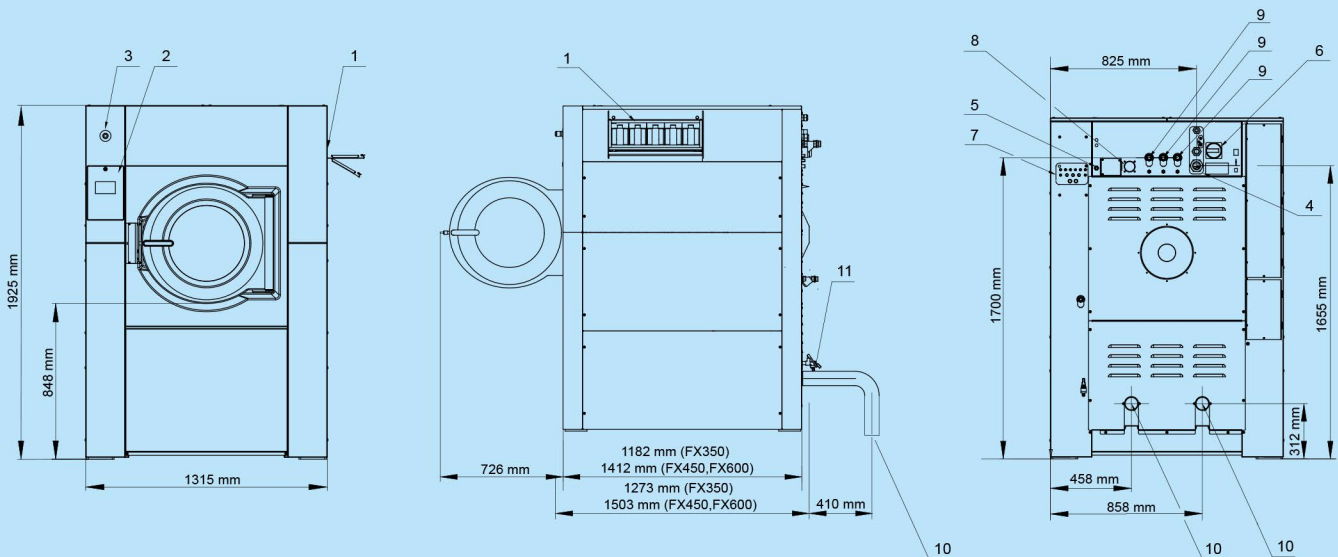
**GET AHEAD** IN LAUNDRY

TYPE		FX350	FX450	FX600
<b>INNER DRUM</b>				
Capacity	kg	35	45	60
Volume	litres	350	450	600
Diameter	mm	914	914	1035
<b>DRUM SPEED</b>				
Wash speed (max)	rpm	45	45	42
Extraction speed (max)	rpm	839	839	788
<b>G-FACTOR</b>				
		360	360	360
<b>HEATING</b>				
Electricity	kW	24	36	54
Steam	bar	3-8	3-8	3-8
Hot water	°C	90	90	90
Sound pressure level	dB (A)	<75	<75	<75
Water valves connection	BSP	1"	1"	1"
Water pressure	kPa	100-800	100-800	100-800
Rec. water pressure	kPa	300-500	300-500	300-500
Water inlet	l/min	578	578	578
Drain valve	outer Ø mm	2x76	2x76	2x76
Flow amount with drain valve	l/min	210	210	210
Steam valve connection	BSP	3/4"	3/4"	3/4"
Steam pressure	kPa	300-800	300-800	300-800
<b>DIMENSIONS</b>				
Size H×W×D	mm	1925x1315x1270	1925x1315x1502	1925x1315x1502
Net weight	kg	1010	1350	1500
<b>TRANSPORT DATA</b>				
Packed H×W×D	mm	2125x1425x1470	2125x1425x1700	2125x1425x1700
Gross weight	kg	1170	1490	1640

Front side

Left side

Rear side



- 1 Soap hopper
- 2 Keyboard
- 3 Emergency stop
- 4 Electrical connection

- 5 Electrical connection to liquid soap
- 6 Main switch
- 7 Liquid soap pump connections

- 8 Air vent tub
- 9 Water connection
- 10 Drain valve
- 11 Water Sample Tap

VISIT OUR WEBSITE [www.totalce.com.au](http://www.totalce.com.au)  
CALL US ON 1300 355 769

**Total**  
Commercial Equipment

Complete Project Solutions™

The Primus preserves the right to change the machines and the specification in this leaflet at any time, without prior notice. Details and photographs are only for information and never binding.

[www.primuslaundry.com](http://www.primuslaundry.com)

Primus by Alliance Laundry Systems

