

food displays



MODELS: WCFS-23SS, 24SS, 25SS & 26SS

APPLICATIONS

- Functional and attractive way to promote, prepare and store cold products for buffets, canteens and smorgasbords.

STANDARD FEATURES

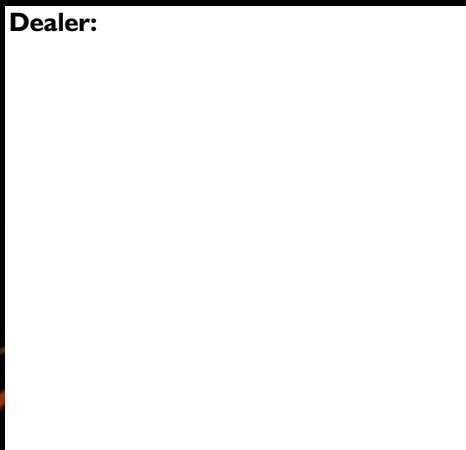
- Refrigerated ingredient well with cold air blowing below and over 100mm deep gastronorm pans
- Front & rear lexen doors can be lifted and locked into upright position to act as sneeze guards.
- Unique full-length evaporator coil
- Self contained end mounted refrigeration system
- Illuminated gantry using fluorescent lights with diffuser
- Toughened glass panels at gantry ends
- All stainless steel body construction in bright annealed finish
- Adjustable micro-processor control with digital temperature display
- Easy to clean design with liftout floor panels

OPTIONS

- Gastronorm pans available

WCFS-23SS - 3 x 1/2 pans wide, 2 rows
Kw 0.83 W 1080 D 800 H 1248
WCFS-24SS - 4 x 1/2 pans wide, 2 rows
Kw 0.83 W 1405 D 800 H 1248
WCFS-25SS - 5 x 1/2 pans wide, 2 rows
Kw 0.92 W 1730 D 800 H 1248
WCFS-26SS - 6 x 1/2 pans wide, 2 rows
Kw 0.92 W 2055 D 800 H 1248

Dealer:



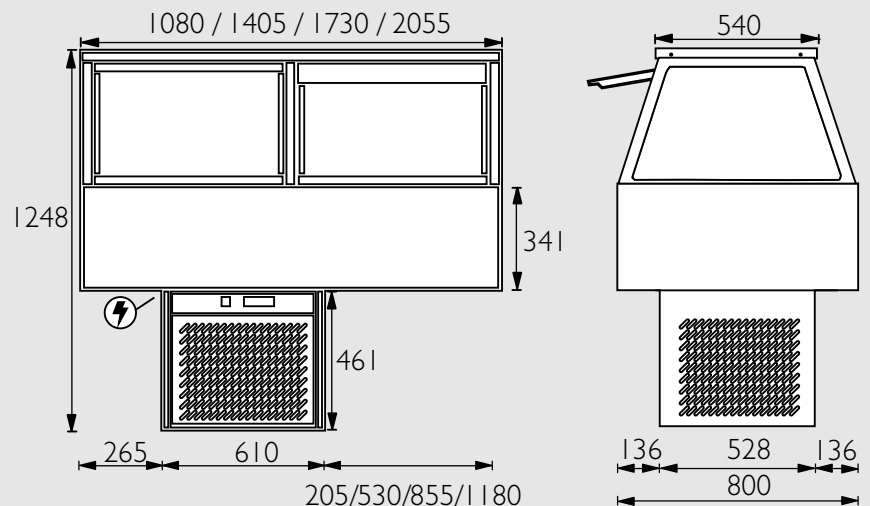
self serve cold food display



WCFS25SS model shown

www.TotalCommercialEquipment.com.au 08 8363 5282

WCFS-SS



We reserve the right to alter specifications of products without notice

For details of your local dealer contact:

QLD, NT, WA, International ph 07 3344 2444 fax 07 3345 6403 email fse@stoddart.com.au	NSW, ACT ph 02 9817 7700 fax 02 9817 7800 email gladesville@stoddart.com.au	VIC, SA, TAS ph 03 9543 9922 fax 03 9543 9944 email melbourne@stoddart.com.au
---	---	---

Distributed by: Tom Stoddart Pty Ltd, 215 Jackson Road Sunnybank Hills, Qld 4109 Australia